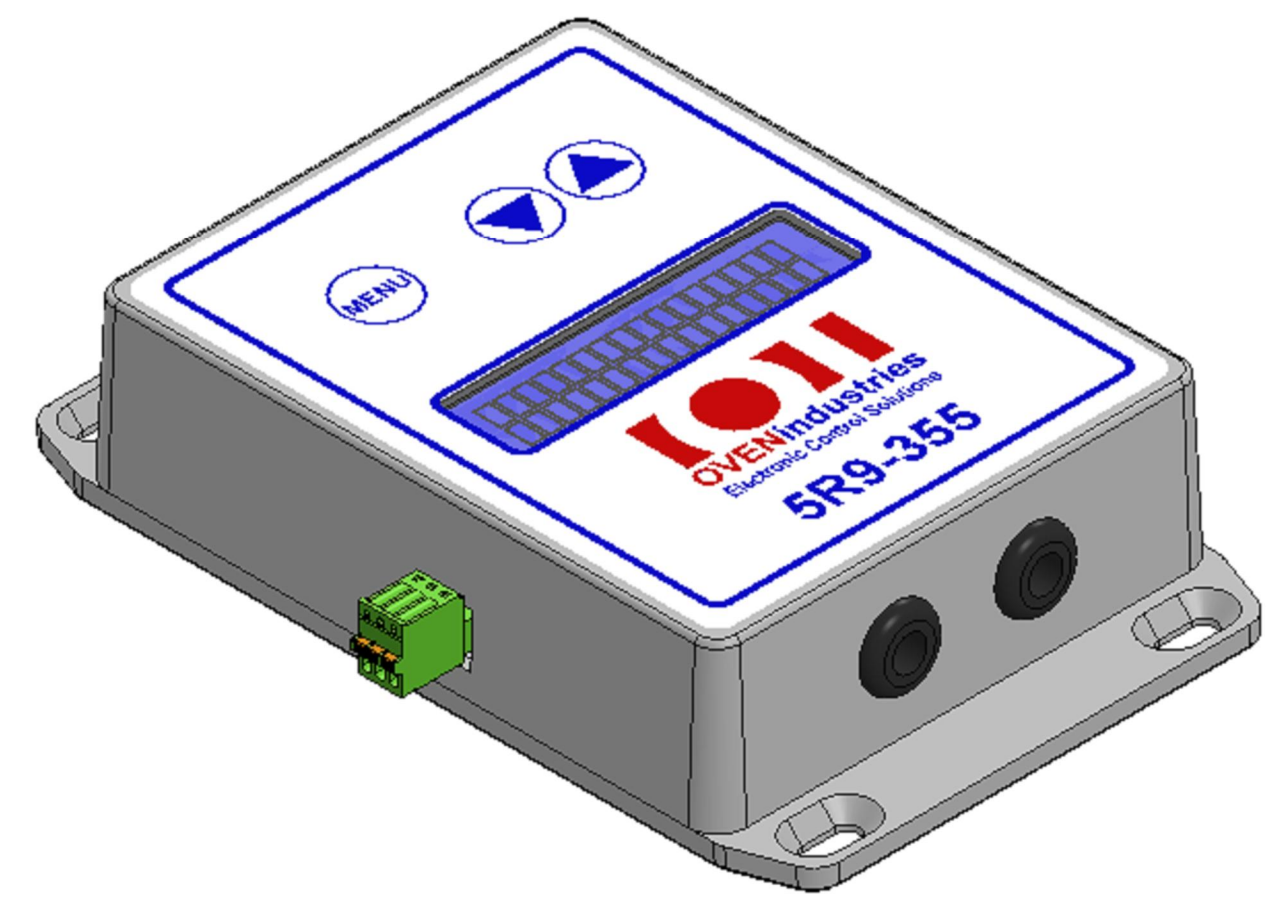
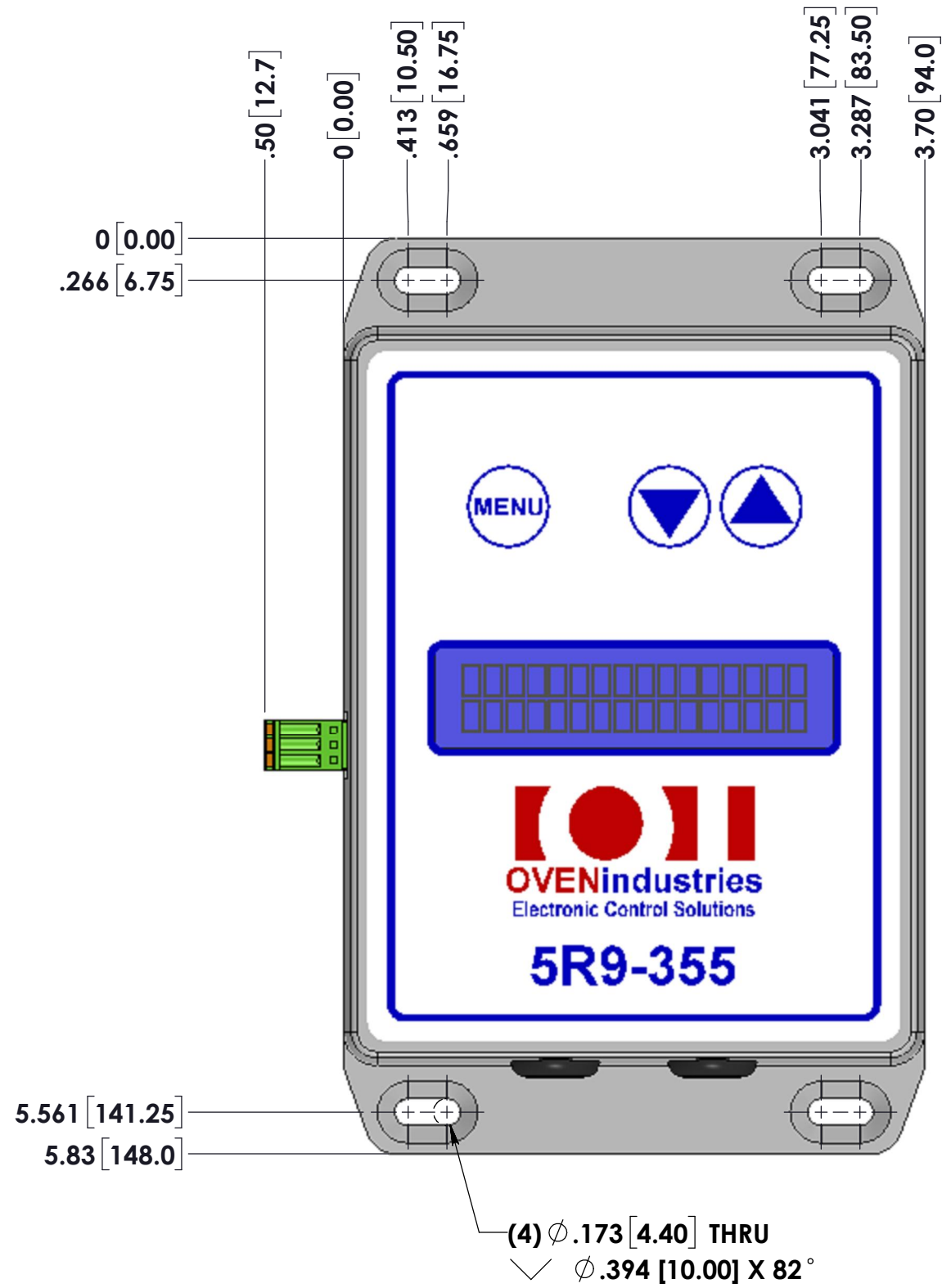
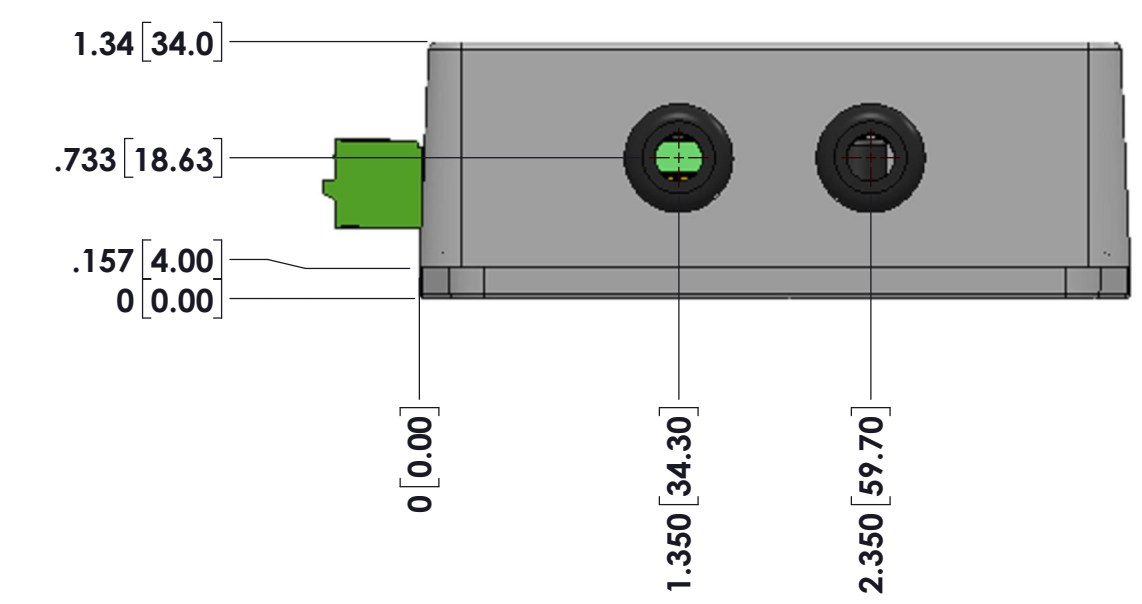


REVISIONS						
ZONE	REV	DESCRIPTION	BY	DATE	APPR.	DATE



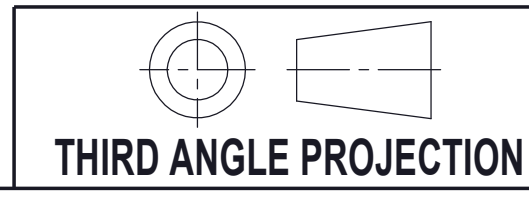
ISOMETRIC VIEW



SEE SHEET 2 FOR WIRING CONNECTIONS

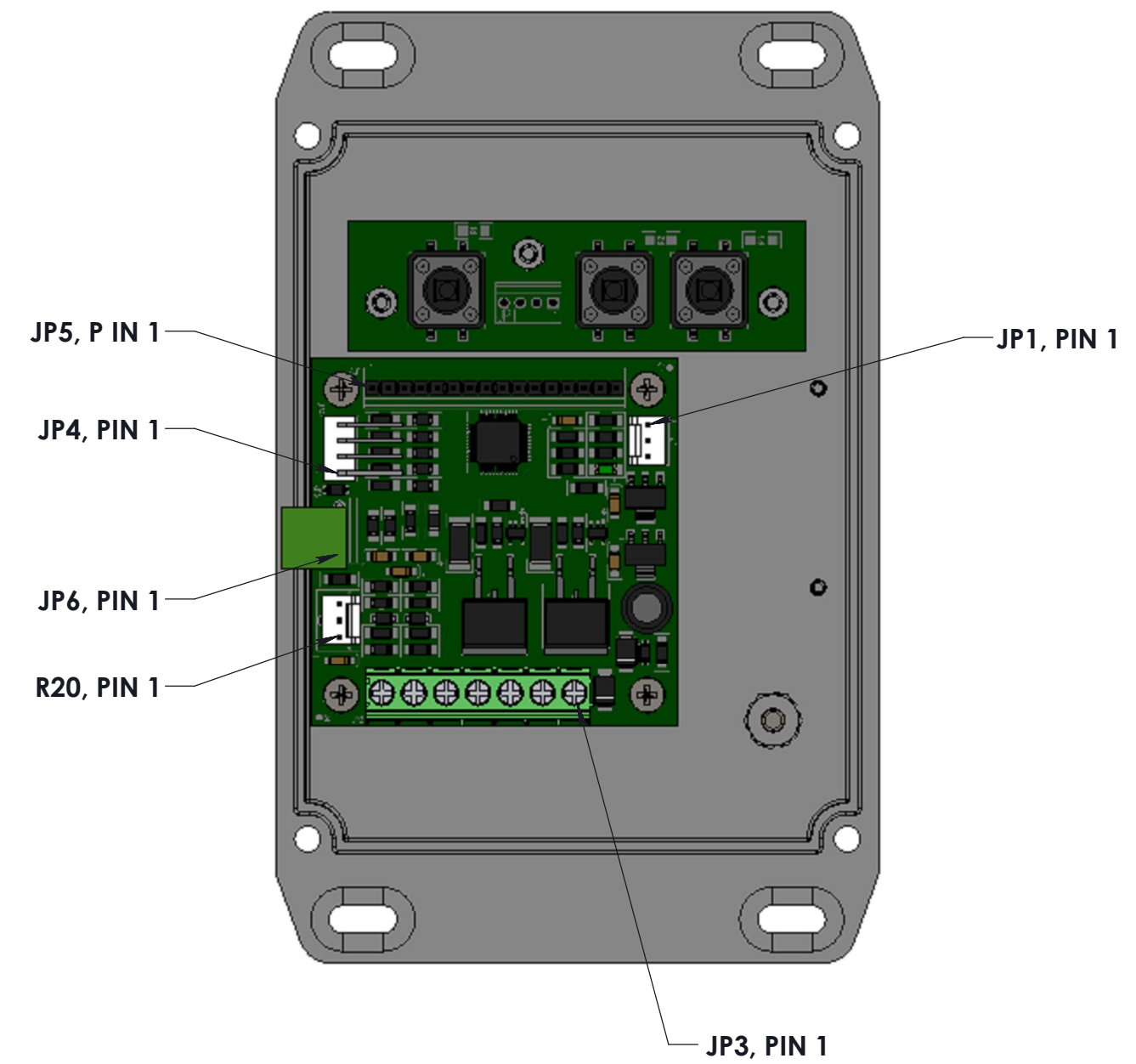
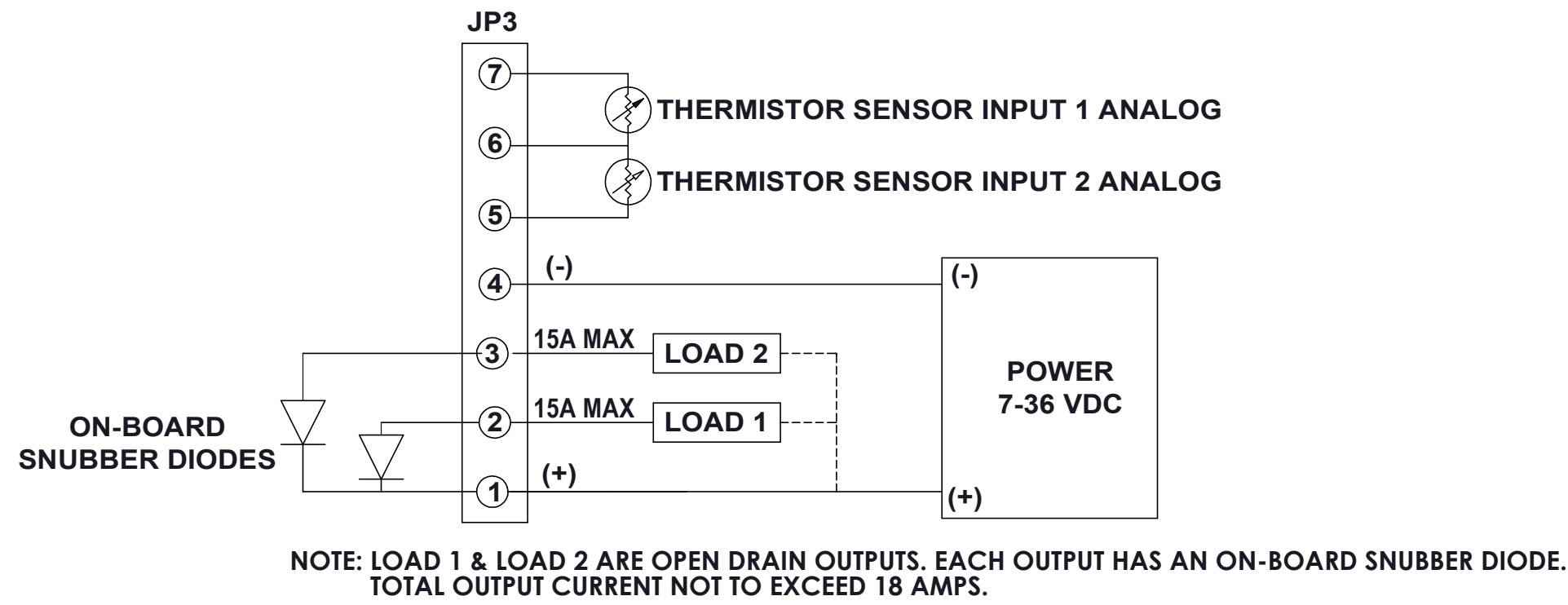
<<< RoHS COMPLIANT >>>

DIMENSIONS ARE IN INCHES [MM] 2 PLACE DEC. ±.02 [0.5] 3 PLACE DEC. ±.010 [0.25] FRACTIONS ANGLES FINISH:	SIGNATURES	DATE	OVEN INDUSTRIES INC. P. O. BOX 290, MECHANICSBURG, PA. 17055			
	DRAWN: TAS	5/6/16				
	CHECK: SSS	8/16/17	CUSTOMER DRAWING			
	APPR:					
	APPR:		SIZE C	FSCM NO. 21302	DWG NO. CDR-00485	
	MATERIAL:		SCALE 1:1	MODEL 5R9-355	SHEET 1 OF 2	

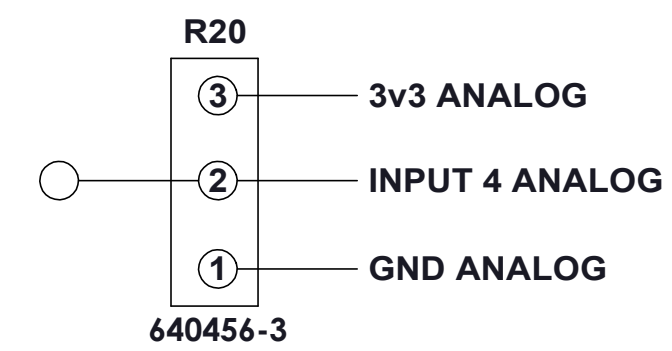
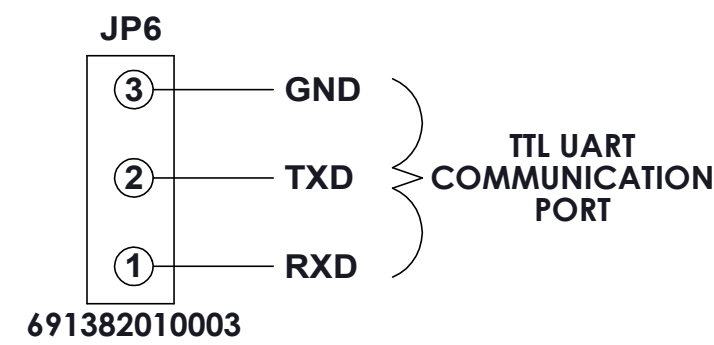
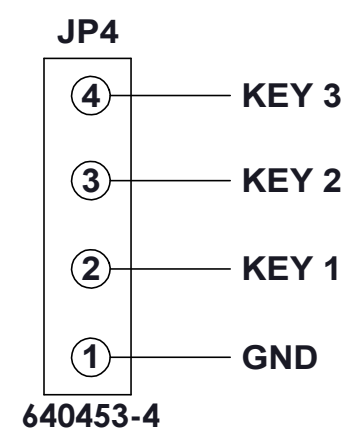
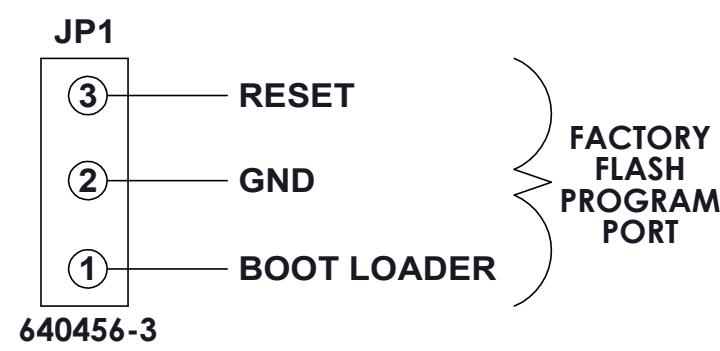


REVISIONS						
ZONE	REV	DESCRIPTION	BY	DATE	APPR.	DATE

CONNECTIONS



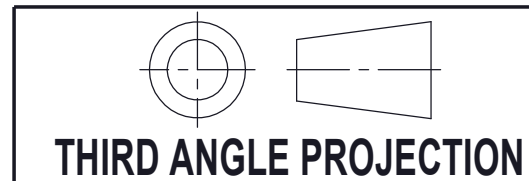
**MODEL 5R9-355
WITH COVER & DISPLAY
REMOVED**



DIMENSIONS ARE IN INCHES [MM]	SIGNATURES	DATE
2 PLACE DEC. ±.02 [0.5]	DRAWN: TAS	5/6/16
3 PLACE DEC. ±.010 [0.25]	CHECK: SSS	8/16/17
FRACTIONS	APPR:	
ANGLES	APPR:	

OVEN INDUSTRIES INC.
P. O. BOX 290, MECHANICSBURG, PA. 17055

CUSTOMER DRAWING



FINISH:	MATERIAL:
-	-

SIZE C	FSCM NO. 21302	DWG NO.	CDR-00485
SCALE 1:1	MODEL 5R9-355	SHEET	2 OF 2